



Using "Genuine Laars" parts will ensure accurate replacement and warranty coverage. Installation and Operation Manuals for current products are available on-line at [www.Laars.com](http://www.Laars.com)

### **Our Commitment**

We believe the availability of factory authorized replacement parts is an essential component of customer service. We strive to provide every opportunity for our customers to order and stock factory authorized replacement parts, including special incentive, pricing and freight programs. Contact your Laars representative or sales manager for more details.

### **Ordering**

Laars sells parts only through its normal distribution channels. The most commonly used parts are listed in this parts guide, and can be ordered through Laars stocking representatives or wholesalers. Call the Service Department for assistance in identifying parts not listed. Have the model and serial number of the unit before calling to assure accurate parts identification. Rush Orders: We make every effort to ship rush orders the same day at our regular prices, but cannot guarantee same day shipment. Express freight charged by carriers is not refundable regardless of ship date; please indicate alternate shipping choice if order cannot ship the same day. Some parts are subject to price changes and limited availability. Laars representatives or wholesalers should call the factory for price and lead time for non-current sheet metal parts, parts listed as "limited to stock on hand" and parts not listed in this document.

### **Terms and Conditions**

1. Standard terms will apply to all parts orders.
2. Special pricing is available for bulk quantity orders. Contact the Customer Service Department for pricing and specifics.
3. Expedite fee for non-stocked heat exchangers, 24 hour turnaround \$250.00 net.
4. Expedite fee for non-stocked sheet metal parts (7 working days) is \$250.00 per part.
5. Cancellation fee for custom product already in production: \$250
6. All parts are shipped FOB warehouse.
7. Any excise or sales tax will be charged to and paid by the buyer. Buyer is solely responsible for providing valid resale certificates.

### **Salable Returns / Unused Parts**

Parts in new condition with all original packaging will be considered for return within one year of date of purchase from Laars, subject to a 25% restocking charge *and* recovery of other discounts or incentives earned at time of purchase. Invoice number and date of purchase must be furnished. Refunds will be made to the original purchaser only, and will be made at the sole discretion of Laars. Return of parts may affect eligibility for other programs. Contact your Laars representative for more information.

### **Parts Limited Warranty**

Laars warrants all parts to be free from defects in materials and workmanship to the original retail purchaser for one year from date of retail purchase. Proof of purchase is required. This limited warranty applies only to parts purchased for use as an original equipment replacement part in Laars Heating Systems boilers and water heaters. At its option, Laars will repair or replace any part that fails under this limited warranty. Repair or replacement shall be the sole remedy, and Laars shall not be liable for any field labor, removal, transportation to/from the factory, reinstallation or any other such costs.

### **Return Under Warranty**

Parts should be returned to the place of purchase for warranty evaluation. If the original place of purchase is not known, contact your Laars wholesaler, factory representative or Contract Service Center. Wholesalers, factory representatives and Contract Service Centers returning parts for warranty consideration must obtain a RMA (Return Merchandise Authorization) number from the Customer Service Department. Each part must be tagged with the original purchase date, model and serial number of the boiler it was installed on, and a description of the failure. Parts must be returned freight prepaid and clearly marked with the RMA number. The RMA expires if not returned within 60 days of issuance. Contact your Laars representative or the Customer Service Department for more information on obtaining warranty coverage on large, heavy or bulky items.

Laars Heating Systems maintains a policy of continuous quality improvement.

*Laars Heating Systems Company reserves the right to change specifications, components, features, or to discontinue products without notice. While Laars will make every reasonable effort to provide advance notice of changes, supplier actions, changes in code requirements, and Laars' efforts to continuously upgrade products will sometimes require that changes be introduced with minimal or no advance notice.*

## SECTION 6. Parts Descriptions and Order Numbers

Key Description No	Model 500	Model 600	Model 715	Model 850	Model 1010	Model 1200	Model 1430	Model 1670	Model 1825
1 Top Panel Assembly	10535701	10535702	10535703	10535704	10535705	10535706	10535707	10535708	10535709
2 Spacer, Flue Collector	—	—	—	10540800	10540800	10540800	10540800	10540800	10540800
3 End Panel, Flue Collector (left)	10533700	10533700	10533700	10533700	10533700	10533700	10533700	10533700	10533700
4 End Panel, Flue Collector (right)	10533800	10533800	10533800	10533800	10533800	10533800	10533800	10533800	10533800
5 Rear Panel, Flue Collector	10535501	10535502	10535503	10535504	10535505	10535506	10535507	10535508	10535509
6 Rear Panel, Ext., Flue Collector	—	—	—	—	Not Required	—	—	—	—
7 Front Support, Flue Collector	10534401	10534402	10534403	10534404	10534405	10534406	10534407	10534408	10534409
8 Tile Cover, Front & Rear	10534201	10534202	10534203	10534204	10534205	10534206	10534207	10534208	10534209
9 Baffle, Heat Exch. (Ft & Rear)	10534301	10534302	10534303	10534304	10534305	10534306	10534307	10534308	10534309
10,11 Baffle, Heat Exchanger	10534601	10534602	10534603	10534604	10534605	10534606	10534607	10534608	10534601
	(7)	(14)	(14)	(14)	(14)	(28)	(28)	(28)	(14)
	—	—	—	—	—	—	—	—	10534602
	—	—	—	—	—	—	—	—	(14)
12 Return Header (S-00981)	10364300	10364300	10364300	10364300	10364300	10364300	10364300	10364300	10364300
Return Header (S00642)	—	—	—	—	—	—	—	—	—
Bronze	10364301	10364301	10364301	10364301	10364301	10364301	10364301	10364301	10364301
13 Inlet/Outlet Header (S-00943)	10364500	10364500	10364500	10364500	10364500	10364500	10364500	10364500	10364500
Inlet/Outlet Header (S00640)	10364501	10364501	10364501	10364501	10364501	10364501	10364501	10364501	10364501
Bronze	—	—	—	—	—	—	—	—	—
14 Flange, 2" (S00636)	10391302	10391302	10391302	10391302	—	—	—	—	—
Flange, 2 1/2" (S00635)	—	—	—	—	10391303	10391303	10391303	10391303	10391303
Flange, 2 1/2" (S00644), Bronze	10391304	10391304	10391304	10391304	10391304	10391304	10391304	10391304	10391304
15 Flange Gasket	S0063700	S0063700	S0063700	S0063700	S0063700	S0063700	S0063700	S0063700	S0063700
16 Header Gasket w/Barrier	S0095100	S0095100	S0095100	S0095100	S0095100	S0095100	S0095100	S0095100	S0095100
17 Header Gasket	—	—	—	—	Use S00951 00-Cut Out Barrier	—	—	—	—
18 Baffle, Water Inlet	10338300	10338300	10338300	10338300	10338300	10338300	10338300	10338300	10338300
19 Barrier, Water	10397500	10397500	10397500	10397500	10397500	10397500	10397500	10397500	10397500
20 Well, Aquastat	E0025900	E0025900	E0025900	E0025900	E0025900	E0025900	E0025900	E0025900	E0025900
Well, Aquastat F/4 Stage	E0085700	E0085700	E0085700	E0085700	E0085700	E0085700	E0085700	E0085700	E0085700

NOTE: Numbers in ( ) represent quantity required for each size. Quantity is one otherwise.

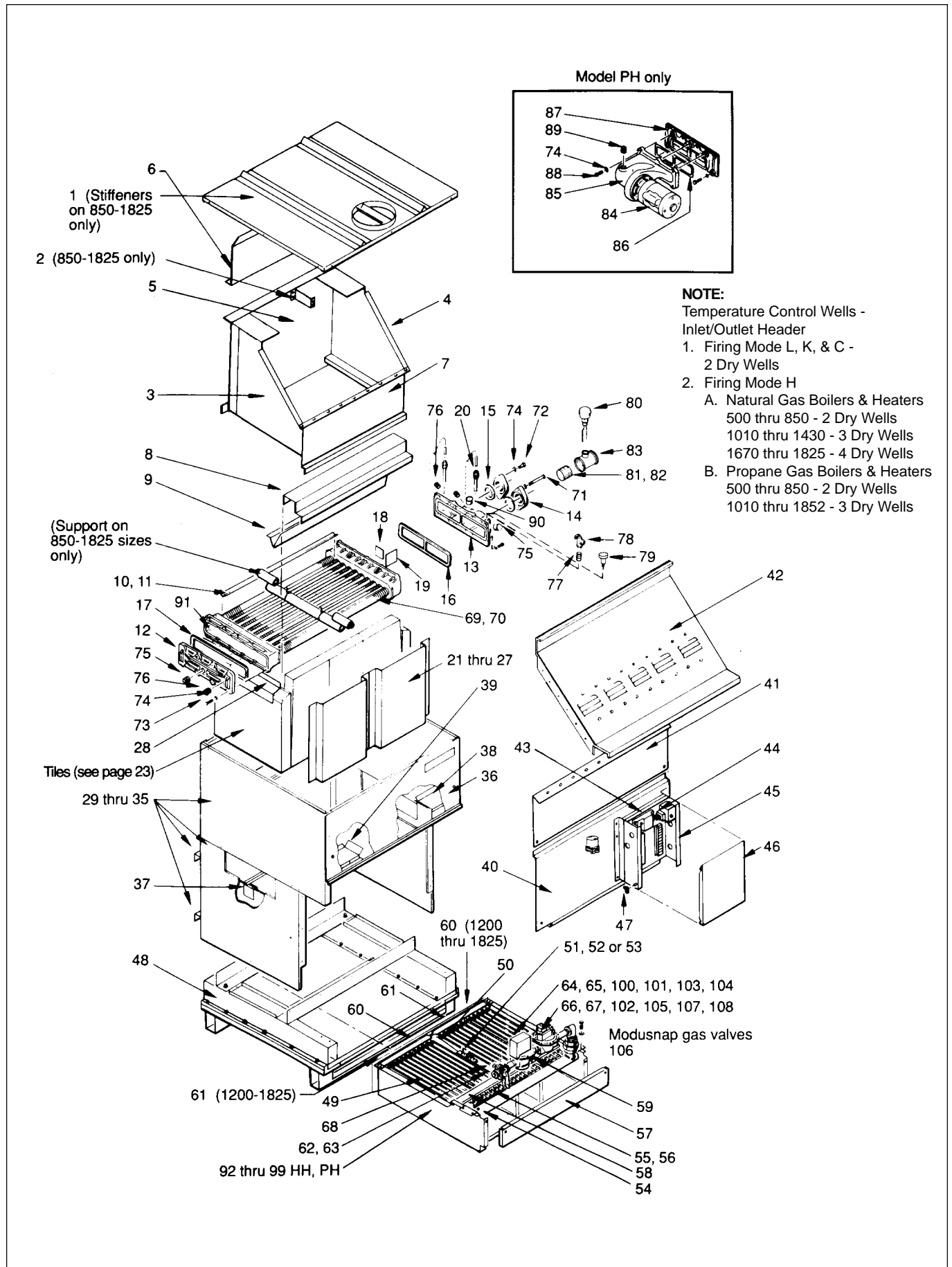
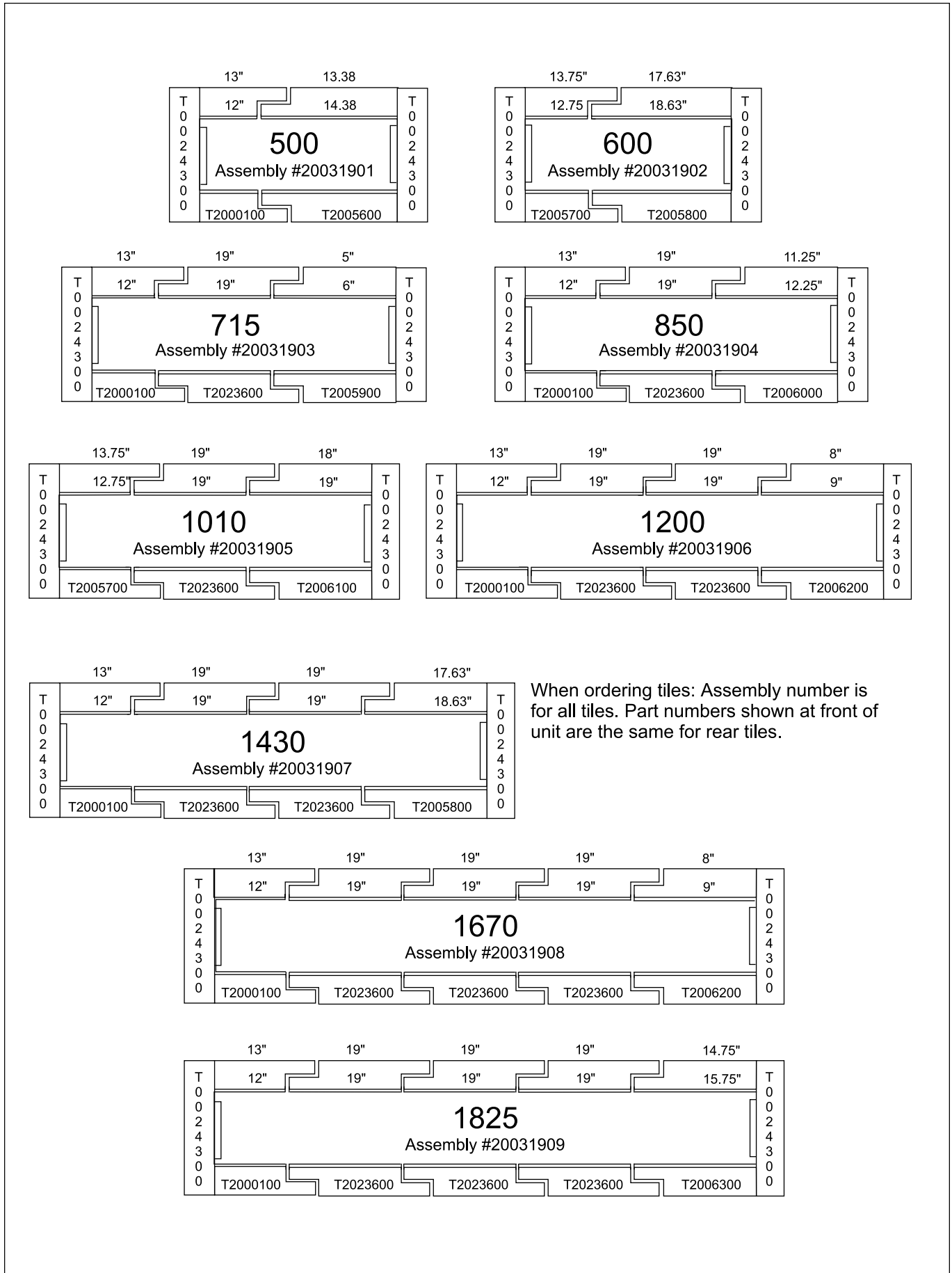


Figure 22. Parts Identification.

Key Description	Model 500	Model 600	Model 715	Model 850	Model 1010	Model 1200	Model 1430	Model 1670	Model 1825
21 Tile, Heat Shield/Sprr, Frt. & Rr.	10560100 (2)	—	—	—	—	—	—	—	—
22 Tile, Heat Shield/Spacer, Front	—	10547901	10547902	—	—	10547903	10547901	10547904	10547903
23 Tile, Heat Shield/Spacer, Front	—	—	—	10548002	10548003	—	—	—	10548001
24 Tile, Heat Shield/Spacer, Front	—	—	—	—	—	10548101	10548102	10548103	10548104
25 Tile, Heat Shield/Spacer, Rear	—	10548201	10548202	—	—	10548203	10548201	10548204	10548203
26 Tile, Heat Shield/Spacer, Rear	—	—	—	10548302	10548303	—	—	—	10548301
27 Tile, Heat Shield/Spacer, Rear	—	—	—	—	—	10548401	10548402	10548403	10548404
28 Saddle Assembly, End Tile	10533600 (2)	10533600 (2)	10533600 (2)	10533600 (2)	10533600 (2)	10533600 (2)	10533600 (2)	10533600 (2)	10533600 (2)
29 Lower End Panel/Heat Shield Weldment, Right	10540701	10540701	10540701	10540701	10540701	10540701	10540701	10540701	10540701
30 Lower End Panel/Heat Shield Weldment, Left	10540702	10540702	10540702	10540702	10540702	10540702	10540702	10540702	10540702
31 Lower Rear Panel & Baffle Rear Weldment	10532901	10532902	10532903	10532904	10532905	10532906	10532907	10532908	10532909
32 Middle Rear Panel/Heat Shield Weldment	10540401	10540402	10540403	10540404	10540405	10540406	10540407	10540408	10540409
33 End Panel, Upper Right	10531600	10531600	10531600	10531600	10531600	10531600	10531600	10531600	10531600
34 End Panel, Upper Left	10534000	10534000	10534000	10534000	10534000	10534000	10534000	10534000	10534000
35 Upper Rear Panel/Heat Shield Weldment	10540501	10540502	10540503	10540504	10540505	10540506	10540507	10540508	10540509
36 Front Panel, Upper	10531501	10531502	10531503	10531504	10531505	10531506	10531507	10531508	10531809
37 Brackets, Support, End Tile	10551000 (2)	10551000 (2)	10551000 (2)	10551000 (2)	10551000 (2)	10551000 (2)	10551000 (2)	10551000 (2)	10551000 (2)
38 Drafthood, Relief Baffle, Right	10540901	10540902	10540903	10540904	10540905	10540906	10540907	10540908	10540909
39 Drafthood, Relief Baffle, Left	10541001	10541002	10541003	10541004	10541005	10541006	10541007	10541008	10541009
40 Lower Right Panel/Heat Shield Weldment	10554601	10554602	10554603	10554604	10554605	10554606	10554607	10554608	10554609
41 Middle Front Panel	10554401	10554402	10554403	10554404	10554405	10554406	10554407	10554408	10554409
42 Sweep Sheet, Flue Collector	10533901	10533902	10533903	10533904	10533905	10533906	10533907	10533908	10533909

NOTE: Numbers in ( ) represent quantity required for each size. Quantity is one otherwise.



**Figure 23. Tile Assemblies.**

Key No	Description	Model 500	Model 600	Model 715	Model 850	Model 1010	Model 1200	Model 1430	Model 1670	Model 1825
43	Ignition Control, Electronic	E0100900	E0100900	E0100900	E0100900	E0100900	E0100900	E0100900	E0100900	E0100900
44	Transformer, 11 5V/24V	E0086100	E0086100	E0086100	E0086100	E0086100	E0086100	E0086100	E0086100	E0086100
45	Control Box Weldment	10545800	10545800	10545800	10545800	10545800	10545800	10545800	10545800	10545800
46	Control Box Cover	10547200	10547200	10547200	10547200	10547200	10547200	10547200	10547200	10547200
47	Wing Nut, #8-32	F0032100 (2)	F0032100 (2)	F0032100 (2)	F0032100 (2)	F0032100 (2)	F0032100 (2)	F0032100 (2)	F0032100 (2)	F0032100 (2)
48	Base Tile Support Assy.	10536901	10536902	10536903	10536904	10536905	10536906	10536907	10536908	10536909
49	Burner, Main	L0052300	L0052300	L0052300	L0052300	L0052300	L0052300	L0052300	L0052300	L0052300
50	Pilot Brkt/Burner Weldment (Johnson Pilot)	10529501	10529501	10529501	10529501	10529501	10529501	10529501	10529501	10529501
	(Honeywell Pilot)	10529502	10529502	10529502	10529502	10529502	10529502	10529502	10529502	10529502
51	Pilot Burner (Johnson)	W0034700	W0034700	W0034700	W0034700	W0034700	W0034700	W0034700	W0034700	W0034700
	Standing Pilot, Nat	W0035800	W0035800	W0035800	W0035800	W0035800	W0035800	W0035800	W0035800	W0035800
	Pilot Burner (Honeywell)	W0034600	W0034600	W0034600	W0034600	W0034600	W0034600	W0034600	W0034600	W0034600
	Standing Pilot, Nat	W0034400	W0034400	W0034400	W0034400	W0034400	W0034400	W0034400	W0034400	W0034400
52	Pilot Burner (Johnson)	W0034500	W0034500	W0034500	W0034500	W0034500	W0034500	W0034500	W0034500	W0034500
	Standing Pilot, Propane	W0034300	W0034300	W0034300	W0034300	W0034300	W0034300	W0034300	W0034300	W0034300
	Pilot Burner (Honeywell)	10525901	10525902	10525903	10525904	10525905	10525906	10525907	10525908	10525909
	Standing Pilot, Propane	L0050700 (22)	L0050700 (26)	L0050700 (30)	L0050700 (36)	L0050700 (42)	L0050700 (50)	L0050700 (60)	L0050700 (70)	L0050700 (76)
	Standing Pilot, Propane	L0032900 (22)	L0032900 (26)	L0032900 (30)	L0032900 (36)	L0032900 (42)	L0032900 (50)	L0032900 (60)	L0032900 (70)	L0032900 (76)
53	Pilot Burner (Johnson)	10552901	10552902	10552903	10552904	10552905	10552906	10552907	10552908	10552909
	IID Pilot, Nat	10525301	10525302	10525303	10525304	10525305	10525306	10525307	10525308	10525309
	Pilot Burner (Honeywell)	10542701	10542702	10542703	10542704	10542705	10542706	10542707	10542708	10542709
	IID Pilot, Nat	10525701	10525702	10525703	10525704	10525705	10525702 (2)	10525703 (2)	10525704 (2)	10525704 (2)
54	Gas Manifold Weldment (single)	10542001	10542002	10542003	10542004	10542005	10542002	10542003	10525704	10525704
55	Orifice, Nat, Gas	V0004200	V0004200	V0004200	V0004200	V0004300	V0004300	V0004300	V0004300	V0004300
56	Orifice, Propane - 9" W.C.	V0004800	V0004800	V0004800	V0004800	V0004200	V0004200	V0004300	V0004300	V0004300
57	Manifold Cover Plat Assy.									
58	Burner, Anti Rotation Brkt (left)									
59	Burner, Anti Rotation Brkt (right)									
60	Burner Tie Down Bracket (left)									
61	Burner Tie Down Bracket (right)									
62	Valve, Manual, Gas, Natural									
63	Valve, Manual, Gas, Propane									

NOTE: Numbers in ( ) represent quantity required for each size. Quantity is one otherwise.

Key No	Description	Model 500	Model 600	Model 715	Model 850	Model 1010	Model 1200	Model 1430	Model 1670	Model 1825	
64	Safety Gas Valve, On-Off, Two Stage (Nat)	V0046600	V0046600	V004600	V0046700	V0046700	V0046700	V0046700	V0046700	V0046800	
65	Safety Gas Valve, On-Off, Two Stage (Pro)	V0046600	V0046600	V0046600	V0046600	V0046600	V0046600	V0046700	V0046700	V0046700	
66	Valve, Gas, Operating / Reg. On-Off, Two Stage (Nat)	V0051200	V0051200	V0051200	V0051200	V0051300	V0051300	V0051300	V0051400	V0051400	
67	Valve, Gas, Operating / On-Off Two Stage (Pro)	V0054800	V0054800	V0054800	V0054800	V0054800	V0054800	V0054900	V0054900	V0054900	
68	Valve, Pilot, Gas, Manual	W0002100	W0002100	W0002100	W0002100	W0002100	W0002100	W0002100	W0002100	W0002100	
69	Tube Assembly, Copper	10534701	10534702	10534703	10534704	10534705	10534706	10534707	10534708	10534709	
70	Tube Assembly, Cupro-nickel	10553701	10553702	10553703	10553704	10553705	10553706	10553707	10553708	10553709	
71	Screw, Cap, 1/2" - 13 x 4 1/2"	F0028700	F0028700	F0028700	F0028700	F0028700	F0028700	F0028700	F0028700	F0028700	
72	Screw, Cap, 1/2" - 13 x 2 1/4"	F0023100	F0023100	F0023100	F0023100	F0023100	F0023100	F0023100	F0023100	F0023100	
73	Screw, Cap, 1/2" - 13 x 1 1/2"	F0013300	F0013300	F0013300	F0013300	F0013300	F0013300	F0013300	F0013300	F0013300	
74	Washer	F0011400	F0011400	F0011400	F0011400	F0011400	F0011400	F0011400	F0011400	F0011400	
75	Plug, Sq. Hd., 1 "NPT	P0033000	P0033000	P0033000	P0033000	P0033000	P0033000	P0033000	P0033000	P0033000	
76	Plug, 1/2" NPT	P0026900	P0026900	P0026900	P0026900	P0026900	P0026900	P0026900	P0026900	P0026900	
77	Nipple, Brass, 3/4" x 2"	P0025300	P0025300	P0025300	P0025300	P0025300	P0025300	P0025300	P0025300	P0025300	
78	Valve, Press, Relief 3/4" -75 PSI	A0063600	A0063600	A0063600	A0063600	A0063600	A0063600	A0063600	A0063600	A0063600	
79	Temp/Press Gauge	A0079000	A0079000	A0079000	A0079000	A0079000	A0079000	A0079000	A0079000	A0079000	
80	Flow Switch (indoor) (outdoor)	E0013100	E0013100	E0013100	E0013100	E0013100	E0013100	E0013100	E0013100	E0013100	
81	Nipple, 2" x cl. - Galv	E0013000	E0013000	E0013000	E0013000	E0013000	E0013000	E0013000	E0013000	E0013000	
82	Nipple, 2 1/2" x 3" Galv	P0038500	P0038500	P0038500	P0038500	P0038500	P0038500	P0038500	P0038500	P0038500	
83	Red. Tee, 2 x 2 x 1, Galv	P0028500	P0028500	P0028500	P0028500	P0028500	P0028500	P0028500	P0028500	P0028500	
	Red. Tee, 2 1/2 x 2 1/2 x 1, Galv	P0055900	P0055900	P0055900	P0055900	P0055900	P0055900	P0055900	P0055900	P0055900	
84	Pump Rotating Assembly	See Current Document 2040 For Pump Requirements									
85	Pump Housing	10261501	10261501	10261501	10261501	10261501	10261501	10261501	10261501	10261501	
86	Gasket, Pump Housing	S0024600	S0024600	S0024600	S0024600	S0024600	S0024600	S0024600	S0024600	S0024600	
87	Pump Adapter	10364200	10364200	10364200	10364200	10364200	10364200	10364200	10364200	10364200	
88	Screw, Hex Hd. 1/2 - 13 x 1 3/4	F0009200	F0009200	F0009200	F0009200	F0009200	F0009200	F0009200	F0009200	F0009200	

NOTE: Numbers in ( ) represent quantity required for each size. Quantity is one otherwise.

Key No	Description	Model 500	Model 600	Model 715	Model 850	Model 1010	Model 1200	Model 1430	Model 1670	Model 1825
89	Plug, 3/4, Sq. Hd.	P0027000	P0027000	P0027000	P0027000	P0027000	P0027000	P0027000	P0027000	P0027000
90	Pipe Extension 1/2" Female 1/2" Male									
91	Baffle, Diffuser	P0072300	P0072300	P0072300	P0072300	P0072300	P0072300	P0072300	P0072300	P0072300
92	Burner Tray, IID, 2 Stage, SGL Sect. Manifold (Nat)	10338400	10338400	10338400	10338400	10338400	10338400	10338400	10338400	10338400
93	Burner Tray, St. Pilot, 2 Stage, SGL, Sect. Manifold (Pro)	10550601	10550602	10550603	10550604	10550605	10550606	10550607	10550608	10550609
94	Burner Tray, I I D, 4 Stage, Split Manifold (Nat)	10529601	10529602	10529603	10529604	10529605	10529606	10529607	10529608	10529609
95	Burner Tray, St. Pilot, 4 Stage, Split Manifold (Pro)	10550701	10550702	10550703	10550704	10550705	10550706	10550707	10550708	10550709
96	Burner Tray, IID, Mech. Mod. Split Manifold (Nat)	10550301	10550302	10550303	10550304	10550305	10550306	10330307	10330508	10330509
97	Burner Tray, I I D, Mech. Mod., 3 & 4 Sect. Manifold (Nat)	—	—	—	—	—	—	—	—	—
98	Burner Tray, St. Pl. Mech. Mod. Splt. Manifold (Pro)	10550301	10550302	10550303	10550304	—	—	—	—	—
99	Burner Tray, St. Pl., Mech. Mod., 3 Sect. Manifold (Pro)	—	—	—	—	10551201	10551202	10551203	10551204	10551205
100	Combination Gas Valve, 4 Stage, (Nat)	V0059600 (2)	V0059600 (2)	V0059600 (2)	V0070400 (2)	V0070400 (2)	V0070400 (2)	—	—	—
101	Safety Gas Valve, 4 Stage (Nat)	—	—	—	—	—	—	V0046700	V0046800	V0046800
102	Operating/Reg. Gas Valve, 4 Stage (Nat)	—	—	—	—	—	—	V0051300 (2)	V0051300 (2)	V0051300 (2)
103	Combination Gas Valve, 4 Stage, (Pro)	V0070800 (2)	V0070800 (2)	V0070800 (2)	V0070900 (2)	V0070900 (2)	V0070900 (2)	V0070900 (2)	—	—
104	Safety Gas Valve, 4 Stage, (Pro)	—	—	—	—	—	—	—	V0046700	V0046700
105	Operating/Reg. Gas Valve, 4 Stage (Pro)	—	—	—	—	—	—	—	V0054900 (2)	V0054900 (2)
106	Modusnap Gas Valve, (HH &PH Only), Mech. Mod. (Nat & Pro)	V0045100 V0071100	V0045100 V0071100	V0045100 V0071100	V0045100 V0071100	— (3)	— (3)	— (3)	V0071100 N(4) & P(3)	— V0071100 N(4) & P(3)
107	Operating/Reg. Gas Valve, Mech. Mod. (Nat)	V0047600	V0047600	V0047600	V0047600	V0047700	V0047700	V0047700	V0047800	V0047800
108	Operating/Reg. Gas Valve, Mech. Mod. (Pro)	V0054800	V0054800	V0054800	V0054800	V0054800	V0054800	V0054900	V0054900	V0054900

NOTE: Numbers in ( ) represent quantity required for each size. Quantity is one otherwise.



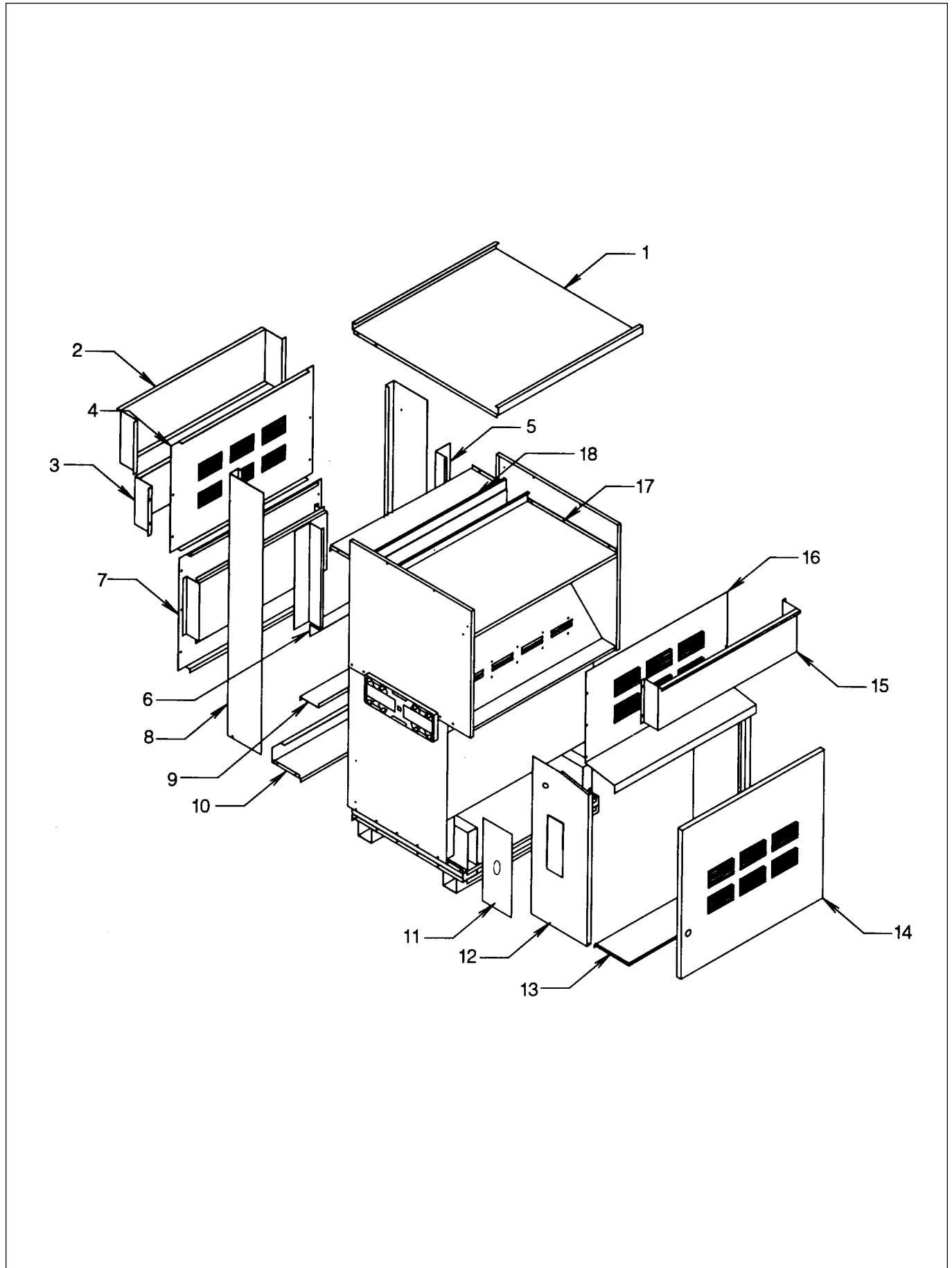


Figure 21. Outdoor Parts.

## SECTION 7. Outdoor Parts Descriptions and Order Numbers

Key Description No	Model 500	Model 600	Model 715	Model 850	Model 1010	Model 1200	Model 1430	Model 1670	Model 1825
1 Top Panel Assembly	10660701	10660702	10660703	10660704	10660705	10660706	10660707	10660708	10660709
2 Rear Windshield	10658101	10658102	10658103	10658104	10658105	10658106	10658107	10658108	10658109
3 Upper Rear Louver Shield	10657101	10657102	10657103	10657104	10657105	10657106	10657107	10657108	10657109
4 Rear Panel Upper	10658701	10658702	10658703	10658704	10658705	10658706	10658707	10658708	10658709
5 Gap Closure-Side	10660200 (2)	10660200 (2)	10660200 (2)	10660200 (2)	10660200 (2)	10660200 (2)	10660200 (2)	10660200 (2)	10660200 (2)
6 Gap Closure-Middle	10660100	10660100	10660100	10660100	10660100	10660100	10660100	10660100	10660100
7 Lower Rear Panel Assembly	10660501	10660502	10660503	10660504	10660505	10660506	10660507	10660508	10660509
8 Rear End Panel Lft. & Rt.	10657700 (2)	10657700 (2)	10657700(2) (2)	10657700 (2)	10657700 (2)	10657700 (2)	10657700 (2)	10657700 (2)	10657700 (2)
9 Lower Rear Shield Inner	10659901	10659902	10659903	10659904	10659905	10659906	10659907	10659908	10659909
10 Rear Base Extension	10658501	10658502	10658503	10658504	10658505	10658506	10658507	10658508	10658509
11 Gas Train Interface Plate	20050200	20050200	20050200	20050200	20050200	20050200	20050200	20050200	20050200
12 Front End Panel	10657500 (2)	10657500 (2)	10657500 (2)	10657500 (2)	10657500 (2)	10657500 (2)	10657500 (2)	10657500 (2)	10657500 (2)
13 Front Base Extension	10659701	10659702	10659703	10659704	10659705	10659706	10659707	10659708	10659709
14 Door	10660801	10660802	10660803	10660804	10660805 (2)	10660806 (2)	10660807 (2)	10660808 (2)	10660809 (2)
15 Front Windshield	10659101	10659102	10659103	10659104	10659105	10659106	10659107	10659108	10659109
16 Front Panel Upper	10658901	10658902	10658903	10658904	10658905	10658906	10658907	10658908	10658909
17 Flue Panel Front	10659501	10659502	10659503	10659504	10659505	10659506	10659507	10659508	10659509
18 Flue Panel Rear	10659301	10659302	10659303	10659304	10659305	10659306	10659307	10659308	10659309
19 Rain Shield-Control Box (Not shown)	10660400	10660400	10660400	10660400	10660400	10660400	10660400	10660400	10660400
<b>See Parts Illustration On Page 21</b>									
5 Rear Panel, Flue Collector	10661701	10661702	10661703	10661704	10661705	10661706	10661707	10661708	10661709
6 Rear Panel, Flue Collector Ext.	10661801	10661802	10661803	10661804	10661805	10661806	10661807	10661808	10661809

NOTE: Numbers in ( ) represent quantity required for each size. Quantity is one otherwise.

Key No	Description	Model 500	Model 600	Model 715	Model 850	Model 1010	Model 1200	Model 1430	Model 1670	Model 1825
7	Front Support, Flue Collector	10662101	10662102	10662103	10662104	10662105	10662106	10662107	10662108	10662109
8	Tile Cover, Front & Rear	10661501 (2)	10661502 (2)	10661503 (2)	10661504 (4)	10661505 (4)	10661506 (4)	10661507 (4)	10661508 (4)	10661509 (4)
10	Baffle, Heat Exchanger	10667701 (7)	10667702 (14)	10667703 (14)	10667704 (14)	10667705 (14)	10667706 (28)	10667707 (28)	10667708 (28)	10667709 (14)
41	Middle Front Panel	10662001	10662002	10662003	10662004	10662005	10662006	10662007	10662008	10662009
42	Sweep Sheet Flue Collector	10662201	10662202	10662203	10662204	10662205	10662206	10662207	10662208	10662209
48	Base Tile Support	10602301	10602302	10602303	10602304	10602305	10602306	10602307	10602308	10602309
69	Tube Assembly, Copper	10665901	10665902	10665903	10665904	10665905	10665906	10665907	10665908	10665909
70	Tube Assembly, Cupro-Nickel	10670401	10670402	10670403	10670404	10670405	10670406	10670407	10670408	10670409

NOTE: Numbers in ( ) represent quantity required for each size. Quantity is one otherwise.

**Mighty Therm Volume Water Heater**

**SECTION 8. Optional Parts Descriptions and Order Numbers**

**Pump Rotating Sections and Repair Parts**

Check pump assembly on heater for H.P. rating and find correct Laars part number from table below.

Description	1/4 HP	1/3 HP	3/4 HP
Pump Rotating Assembly, B&G, 1522 w/3 " IMP, Bronze, 1P	A0048700	—	—
Pump Rotating Assembly, B&G, Series 90 w/3 " Impeller, 1P	A0077100	—	—
Pump Rotating Assembly, TACO 1630 w/3 " Impeller, 1P	A0071000	—	—
Pump Rotating Assembly, TACO 1630 w/4" Impeller, 1P	—	A0071200	—
Pump Rotating Assembly, B&G, 1522 w/4" Impeller, Bronze, 1P	—	A0047500	—
Pump Rotating Assembly, B&G Series 90, w/4" Impeller, 1P	—	A0077200	—
Pump Rotating Assembly, TACO 1630 w/5 " Impeller, 1P	—	—	A0071400
Pump Rotating Assembly, B&G 1522 w/5 " Impeller, Bronze, 1P	—	—	A0047700
Pump Rotating Assembly, B&G Series 90, w/5 ", Impeller, 1P	—	—	A0077300
Motor, Pump, B&G 1522 - I P	A0054400	A0054800	A0055600
Coupler, Pump, B&G - Universal	A0020200	A0020200	A0020200
Bearing Assembly, Pump, B&G 1522 - Universal	A0021600	A0021600	A0021600
Bearing Assembly, Pump, B&G 1522, Bronze	A0022100	A0022100	A0022100
Gasket, Pump, B&G 1522 - #PW1 -2151	A0021400	A0021400	A0021400
Mounting Ring, B&G 1522 Motors	A0065100	A0065100	A0065100
Impeller, B&G 1522 - 3"	A0058100	A0058100	A0058100
Impeller, B&G 1522 - 4"	A0058200	A0058200	A0058200
Impeller, B&G 1522 - 5"	A0058400	A0058400	A0058400

Automatic Reset Temp. Limit Switch .....	E0014400
Manual Reset High Gas Pressure Switch .....	E0023300
Manual Reset Low Gas Pressure Switch .....	E0023500
Alarm Bell, 110 Volts .....	A0014200
Outdoor Reset, Single Stage 30' Bulb .....	E0067600
Outdoor Reset, Two Stage, 30' Bulb .....	E0084200
Low-water Cut-off, Electronic, Manual Reset .....	E0067900
Low-water Cut-off, Electronic, Automatic Reset With Test Button .....	E2024200

Gas valve types and sizes vary with different boiler models, with different fuels and with different firing options. For service and replacement, copy exact number from nameplate giving manufacturer's name and pipe size.

**Energy Management Monitor (EM<sup>2</sup>)**

STANDARD COMPONENTS	
Description	Part No.
On/Off Auto Switch	E0109200
Time Delay Relay, 24 VAC	E2077700
Time Delay Relay, 120 VAC	E2077800
OPTIONAL EQUIPMENT	
Description	Part No.
Remote Aquastat, 110-240F	E0014400
Immersion Well	E0025900

Note: The Remote Aquastat and the Immersion Well, when required, should be ordered separately.

